



## MAIN SPECIFICATIONS

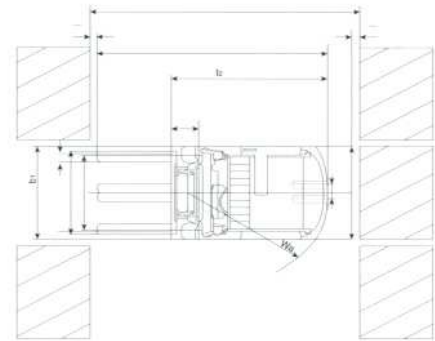
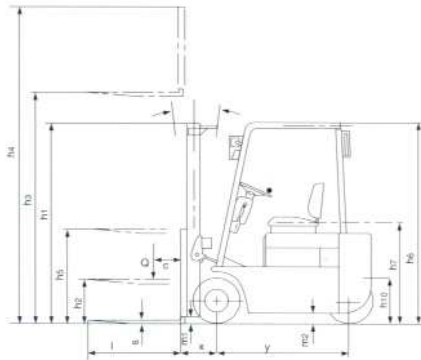
			NX-Standard			NX-High Performance	
Model			SNO1L13HQ	NO1L15HQ	NO1L18HQ	GNO1L16HQ	GNO1L18HQ
Load capacity	Kg		1,250	1,500	1,750	1,600	1,750
Load centre	mm		500	500	500	500	500
Overall width	b1	mm	1,050	1,050	1,050	1,100	1,100
Turning radius	Wa	mm	1,390	1,495(1,420)	1,525	1,615	1,615
Overhead guard height	h6	mm	1,980	1,980	1,980	1,980	1,980
Length to fork face	l2	mm	1,755	1,860(1,785)	1,895	1,980	1,985

Figures in brackets refer to special compact model

## BATTERY AND MOTOR SPECIFICATIONS

Model			SNO1L13HQ	NO1L15HQ	NO1L18HQ	GNO1L16HQ	GNO1L18HQ
Battery capacity	Std.	V/Ah	48/300	48/400	48/400	48/550	48/720
	High	V/Ah	48/300*	48/400*	48/400	48/720	48/720
Electric motor	Drive	Kw x unit	3.9 x 2	3.9 x 2	3.9 x 2	3.9 x 2	3.9 x 2
Electric motor	Load handling	Kw	7.4	7.4	7.4	9.6	7.4

\* Larger battery capacities on request.



Nissan Motor Co., Ltd. reserves the right to make any changes without notice concerning colors, equipment or specifications detailed in this brochure, or to discontinue individual models. The colors of vehicles delivered may differ slightly from those in this brochure. The specifications vary for different countries depending on local market conditions. Please consult your local dealer to ensure that the vehicle delivered accords with your expectations. All values given may vary, due to motor and system tolerances and operational conditions.

Some equipment shown on photos are optional.



**NISSAN FORKLIFT EUROPE B.V.**

CEN01-0 00-9-11500 Printed in the Netherlands  
internet: <http://www.nissan-nfe.com>